

**The Super Series 2024
by the British Superkart Racing Club**

Issued by the BSRC:

Version : **Approved**



**The
Super Series
2024
by the
British Superkart
Racing Club**

Index

Section 1
Sporting Regulations – General

Section 2
Championship Race Meetings and
Race Procedure

Section 3
Judicial

Section 4
Race with Respect

Section 5
General Technical Regulations

Section 6
Specific Class Regulations

Section 7
Appendices - Contacts,
Commercial Undertakings and BSRC
Membership Form

Signed on behalf of the British Superkart Racing Club Ltd

A handwritten signature in black ink, appearing to read 'Mark Smith', written in a cursive style.

Dated November 25th 2023

The Super Series 2024 by the British Superkart Racing Club

Issued by the BSRC:

Version: **Approved**

1 SPORTING REGULATIONS - GENERAL

1.1 Title & Jurisdiction

The Super Series by the British Superkart Racing Club will organise and coordinate the series in accordance with the General Regulations of Motorsport UK (incorporating the provisions of the International Sporting Code of the FIA), and these Championship Regulations.

Championship No. CH2024

Motorsport UK Championship Grade: D

The Super Series by the British Superkart Racing Club will be for four classes -

Superkart Division 1, 250 National, 450 National, F125 KZ L/C

Within the main body of the Championships there will be Cup competitions entitled Div.1 Cup, F250 Mono Cup and Anderson AK Cup

See the specific regulations for these within the class regulations.

1.2 OFFICIALS

The Championship will be organised by the British Superkart Racing Club

Officials will have not less than a Kart National Licence status at senior level posts.

Series Coordination - Ian Rushforth

Series Eligibility - Martin Robertson

Senior Clerk of the Course - Gordon Cuthill

Race with Respect Officer - Simon Rushforth

1.2.1 Championship Stewards - Ken Walker - Jill Walker - Mark Turner

Any three Championship Stewards will constitute a quorum. In the event of any of the Championship Stewards listed above being unavailable or being unable to consider any particular matter due to a perceived conflict of interest, the organisers reserve the right to appoint an alternative Championship Steward or, if deemed to be necessary, more than one alternative Championship Steward

(G) 2.7 Championship Stewards may only adjudicate on any disputes, irregularities or appeals arising from the approved Championship Regulations

(G) 2.7.1 Championship Stewards are also empowered to consider any requests from the Championship co-ordinator to penalise any competitor for any breach of Championship regulations after holding a formal hearing to impose a penalty in accordance with C2.1.1 (subject to the rights of appeal provided for in Section C)

(W) 2.2.1 The Championship Stewards can only adjudicate upon any disputes, irregularities or appeals arising from the approved Championship regulations. They are also empowered to consider any request from the Championship Co-ordinator to penalise any competitor for breach of Championship Regulations and, after holding a formal hearing, to impose a penalty in accordance with C2.1, subject to the rights of appeal to the MSC provided in Section C

The Super Series 2024

by the British Superkart Racing Club

Issued by the BSRC:

Version: **Approved**

1.3 Competitor Eligibility to race at a British Superkart R.C Club event

1.3.1 Drivers must:

- (a) be fully paid-up card holding members of the British Superkart Racing Club
- (b) in possession of a valid Motorsport UK Kart Inter Club licence (endorsed valid for Long Circuit), as a Minimum or
- (c) be in possession of the highest grade of National licence or valid FIACIK International licence, together, with their ASN's written consent ((H) 26.2 and FIA ISC Article 2.3.7b applies)
- (d) A competitor shall not take time of school to participate in motor sport without the prior written approval of their school. If participation in the Championship requires absence from school, drivers in full time school education are required to have the approval of their head teacher and a letter stating such approval from his/her school in order to fulfil registration for the championship.
- (e) Competitors under the age of 18 must be accompanied by the holder of a Kart PG Entrant's licence who must sign on as Entrant of that Competitor.

1.3.2 For Long Circuit reference U14.1.4

- (a) The driver may either produce a Kart licence specifically endorsed valid for Long Circuit Karting or a Car Race licence, see the chart of Minimum Acceptable Licences in Section H.
- (b) New competitors must be able to demonstrate that they have either undertaken their ARKS test at a venue licenced for long circuit karting or having taken the short circuit ARKS test must demonstrate their experience to the satisfaction of the Clerk of the Course or an ARKS Instructor during practice at a long circuit kart event. New drivers will be considered as Novices and must carry Novice plates until they have received four signatures from the Clerk of the Course for competing successfully on Long Circuits. A novice plate on Long Circuit will consist of a yellow plate 22cm x 22cm with a black diagonal cross with strokes 15cm x 2.5cm.
- (c) Drivers in Division 1 will require the minimum of a Kart National licence.

Any driver who has not competed on long circuit U14.1.4 (b) applies.

1.3.3

A Team is a commercial race company or racing team hosting drivers in providing race services or covered accommodation in the Championship and receiving financial gain where the principal is not also the PG Entrant licence holder. This includes the use of team names, team sticker kits and team race suits/clothing:

A Team shall at all times uphold and respect the provisions of the Respect Code, the General Regulations and these Championship Regulations as may be amended from time to time and shall.

- (a) hold a valid Motorsport UK Entrant licence.
- (b) have at least £5 million Public Liability Insurance.
- (c) uphold the values of the Respect Code and all applicable Motorsport UK policies and guidance.
- (d) act in a professional manner at all times and not act or permit any member of the Team to act in such a manner as to bring motor sport, the Championship or Motorsport UK or any of its officers and officials into disrespect.
- (e) adhere to the Motorsport UK Safeguarding Policies and guidance documents, complete Safeguarding training when required and ensure that any person undertaking Regulated Activity is the holder of a valid DBS certificate supplied through Motorsport UK.
- (f) adhere to the General Regulations in respect of anti-alcohol and illicit drugs as well as Motorsport UK processes for anti-alcohol and illicit drugs testing.
- (g) nominate one member of their Team as the Team Representative at each meeting including but not exclusively for the purpose of all judicial proceedings at Events and who shall be present at all judicial proceedings concerning drivers entered under that Team licence in substitution for the driver Parent/Legal Guardian.

1.3.3.1 It is recommended the Team has:

- (a) a designated team member as a 1st 4Sport, Level 2 qualified coach.
- (b) a designated UKAD Certified Advisor, and
- (c) be responsible for carrying out and documenting a risk assessment of their activities (risk assessment management tool available)

The Super Series 2024 by the British Superkart Racing Club

Issued by the BSRC:

Version: Approved

1.4 Registration

1.4.1 To score points in the British Superkart Racing Club Championship it is necessary to register for the Series by becoming a member of the British Superkart Racing Club.

1.4.2 Upon joining the BSRC specific competition numbers for the championship will be issued.

1.4.3 Membership will be accepted from January 1st and open until the closing date of the last event.

1.5 Championship Rounds

1.5.1 Within the main body of the Championships there will be competitions for the Div.1 Cup, 250 Mono Cup and Anderson AK Cup. See the specific regulations for these within the class regulations.

1.5.2 Should an event be oversubscribed reserves will be taken.

1.5.3 2024 Super Series Championship Calendar

Six events within car and motorcycle meetings will be run.

1	March 29/30 th	Donington Park GP Circuit
2	April 27/28 th	Cadwell Park
3	June 1/2 nd	Donington National Circuit
4	July 6/7 th	Knockhill
5	Aug. 31st/Sept. 1 st	Snetterton 300
6	Sept 28 th	Oulton Park

A Super Cup will be held for Div. 1 Superkarts ("S1") & F250 Mono ("S2") and for F450 National ("S3"), F125 Open ("S4") and KZ L/C ("S5") for which an "S" Plate will be awarded. Please note these special number plates can only be run at BSRC race meetings.

The Championship for Div. 1 Superkarts, F250 Mono and their respective Cups will comprise of 18 races.

1	March 29/30 th	Donington Park GP Circuit
2	April 27/28 th	Cadwell Park
3	June 1/2 nd	Donington National Circuit
4	July 6/7 th	Knockhill
5	Aug. 31st/Sept. 1 st	Snetterton 300
6	Sept 28 th	Oulton Park

For 2024 Drivers will drop their lowest three scores.

The Championship for F450 National will comprise of 15 races

1	March 29/30 th	Donington Park GP Circuit
2	June 1/2 nd	Donington National Circuit
3	July 6/7 th	Knockhill
4	Aug. 31st/Sept. 1 st	Snetterton 300
5	Sept 28 th	Oulton Park

For 2024 Drivers will drop their lowest two scores.

The Championship for F125 Open/F125 KZ L/C will comprise of 15 races.

1	March 29/30 th	Donington Park GP Circuit
2	April 27/28 th	Cadwell Park
3	June 1/2 nd	Donington National Circuit
4	July 6/7 th	Knockhill
5	Aug. 31st/Sept. 1 st	Snetterton 300

For 2024 Drivers will drop their lowest two scores.

The Super Series 2024

By the British Superkart Racing Club

Issued by the BSRC:

Version: **Approved**

1.6 Scoring

- 1.6.1 Points will be awarded to competitors listed below as classified finishers in the final results of each race
- 1.6.2 The Championship will comprise of all events run by the BSRC and having at least two races per event. Each race will be a round of the Championship and therefore a points scoring opportunity providing more than five competitors enter per class

Points will be awarded in each race as follows: -

1st	2nd	3rd	4th	5th	6th	7th	8th	9th	10th	11th	12th	13th
<u>30</u>	<u>25</u>	<u>22</u>	<u>20</u>	<u>18</u>	<u>16</u>	<u>14</u>	<u>12</u>	<u>10</u>	<u>8</u>	<u>6</u>	<u>4</u>	<u>2</u>

Plus, one point to all other finishers

- 1.6.3 The Classes and Cups will each have a separate points table.
- 1.6.4 The final positions and points will be decided from the totals from all qualifying rounds less the dropped scores. Unless subject to the application of any Motorsport UK regulations C3.5. Drivers disqualified from results for Sporting or technical infringements may not use (those) round(s) as a discarded rounds for the purpose of overall championship placing. If any rounds are not completed, the dropped scores number will not be reduced.
- 1.6.5 Ties will be resolved according to Motorsport UK Regulation (W1.3.4) of the Motorsport UK Yearbook
- 1.6.6 Where a race distance has been reduced (2.6) it shall still count as a full point scoring round.

1.7 Awards

1.7.1 Events

The criteria used to decide the class awards and the Cup competitions at the events will be:

- 1-3 entries 1st only,
- 4-7 entries 1st and 2nd only.
- 8 or more entries 1st, 2nd, 3rd.

1.7.2 Championship

Superkart Div. 1	Trophies 1st, 2nd, 3rd overall
250 National	Trophies 1st, 2nd, 3rd overall
450 National	Trophies 1st, 2nd, 3rd overall
125 Open	Trophies 1st, 2nd, 3rd overall
125 KZ L/C	Trophies 1st, 2nd, 3rd overall
Div. 1 Cup	Trophies 1st, 2nd, 3rd overall
250 Mono Cup	Trophies 1st, 2nd, 3rd overall
Anderson AK Cup	Trophies 1st, 2nd, 3rd overall

1.7.3 Presentation

Trophies will be presented for each event (as applicable) and championship trophies shall be presented at the end of the series at a place to be nominated.

1.7.4 Title to All Trophies

In the event of any provisional results being revised after any provisional presentations and such revisions affect the distribution of any awards the competitor concerned must return such awards to the BSRC in good condition within 7 days

1.7.5 Entertainment Tax Liability

In accordance with current government legislation, the British Superkart Racing Club is legally obliged to withhold tax at the basic rate on all payments to non-UK resident sportsmen/women and account to the HMRC using form FEU1, the quarterly return of payments made to non-resident entertainers and sportsmen/women

That is, those persons who do not have a normal permanent residence in the UK. The UK does not include the Isle of Man, Channel Islands or Eire. The means that, as the organiser, the British Superkart Racing Club is required to deduct tax at the current rate applicable from any such payments they may make to non-residents.

Under certain circumstances, it may be possible for competitors to enter into an agreement with the Inland Revenue to limit the tax withheld. Any application for such an arrangement must be made in writing and not later than 30 days before the payment is due.

For further information contact: - HMRC Personal Tax International, Foreign Entertainers Unit, St Johns House, Merton Road, Liverpool. LE5 1BB. Tel. 0151 472 6488. Fax; 0151 472 6483

The Super Series 2024 by the British Superkart Racing Club

Issued by the BSRC:

Version: Approved

2. Championship Race Meetings and Race Procedure

2.1 Entries

- 2.1.1 Competitors are responsible for sending in correct and complete entries with the correct entry fees prior to the entry closing date. The closing date will be on the respective event Supplementary Regulations
- 2.1.2 Incorrect or incomplete entries are to be held in abeyance until they are complete and correct. The date of receipt for acceptance of entry shall be the date on which the meeting organiser receives missing or corrected information or fee.
- 2.1.3 Any withdrawal of entry made after the acceptance of any entry must be notified to the meeting organiser in writing. D25.1.12 applies.
- 2.1.4 The entry fee for each event shall be stipulated in the Supplementary Regulations plus any late entry surcharge imposed by the club.
- 2.1.5 Should the entries be oversubscribed at the close off entry date the club reserves the right to award the available places based on the proportions received in each class.
- 2.1.6 Reserves will be listed in the final list of entries published with final instructions or in a bulletin.

2.2 Briefings

Organisers will notify competitors of the times and locations for all briefing in the final instructions. For all meetings, competitors must attend all briefings unless a digital briefing is used.

2.3 Practice and Qualifying

- 2.3.1 Should any practice be disrupted the clerk of the course shall not be obliged to resume or re-run the session; the decision of the clerk of the course shall be final.
- 2.3.2 Each driver should complete a minimum of 3 laps in the kart to be raced and in correct session in order to qualify **(Q12.4)**
- 2.3.3 At the end of each session, all drivers must cross the finish line only once.

2.4 Races

Should any race be disrupted the clerk of the course shall not be obliged to resume or re-run the session. **(Q12.1.5)** (1.6.4 above applies). (2.3.3 above applies)

2.5 Starts

All karts will form up in the assembly area prior to the start, in formation as specified on the grid sheet.

2.5.1 Start Procedure

- 2.5.2 The grid formation will be 2 x 2 Line astern with karts one behind the other (not staggered but in line). The pole man will lead the way.
All starts will be slow rolling starts following a green flag lap in grid positions behind the pace car.
- 2.5.3 The race will begin upon extinguishing the start light until then breaking formation is forbidden.
- 2.5.4 Any drivers unable to start the green flag lap or take the start are required to indicate their situation to the Paddock Marshall or if on circuit raising their hand.

- 2.5.5 Any driver unable to maintain their grid position on the green flag lap, to the extent that all the other karts are ahead of them, may complete the lap but must remain at the rear without overtaking.

The Super Series 2024 by the British Superkart Racing Club

Issued by the BSRC:

Version: **Approved**

- 2.5.6** Gaps on the grid will not be filled and competitors must maintain their allocated position.
- 2.5.7** The green flag lap will be controlled by the pace car.
- 2.5.8** During the pace lap(s) drivers are to respect the position of the other drivers around them, remain in their assigned row and not encroach on their position.
- At the end of the lap(s) the pace car will pull into the pit lane and the driver leading the field is responsible for maintaining the speed established by the pace car until lights/flag out
- The competitor occupying pole position is responsible for setting the distance behind the pace car at the completion of 50% of the final pace lap(s) of approximately 30 metres, the pace car observer will indicate if the distance is incorrect.
- 2.5.9** All karts should be in perfect formation as soon as is practically possible and must be in position at the completion of 50% of the final pace lap(s) unless stated otherwise in the SR's or Final Instructions.
- The driver on the outside front row will draw level with the driver on pole. All following vehicles will line up neatly two by two, line astern, between 2 and 3 metres behind the kart in front of them.
- Karts must maintain their grid positions at the speed determined by the lead kart.
- Falling back in order to accelerate is prohibited.
- Excessive weaving is prohibited and all weaving should stop at the completion of 50% of the final green flag lap(s).
- Upon successful completion of the green flag lap(s) the pace car will retire to its designated pull-off-point and the race karts will proceed, maintaining constant speed and formation until the signal is given by the starter that the race shall begin.
- The Clerk of the Course will either communicate to the start line officials, requesting the start be given, or they will be asked to display the red flag and karts will be brought to a halt on the grid for the race to be restarted
- 2.5.10** Once the signal to start racing is given, only then, may karts break formation and overtake prior to the start/finish line.
- Any breaches of the start procedure may give rise to penalties under the current Motorsport UK penalty system i.e. gaining an unfair advantage.
- The starting signal will be given by extinguishing the red lights.
- Any driver unable to start the Green Flag/Pace lap or start is required to indicate their situation, in addition, any driver unable to maintain their grid position on the Green Flag Lap, to the extent that all other cars are ahead of them, may complete the Green Flag lap.
- In the event of any starting lights failure the Starter will revert to use of the National Flag once all competitors have been advised of the fact.
- 2.5.11** The Organisers reserve the right to amend this start procedure via a bulletin issued to all competitors. This may involve changing the method of starting and/or the countdown procedure leading up to the start signal being given.

The Super Series 2024

by the British Superkart Racing Club

Issued by the BSRC:

Version: Approved

2.6 Timed Qualifying

2.6.1 All classes will be provided with a Timed Qualifying session and each driver must participate in their designated group.

2.6.2 The schedule for the Timed Qualifying group(s) will be posted on the Official Notice Board.

2.6.3 Should any driver miss their designated group they will not be permitted to join another.

2.6.4 The results from Timed Qualifying will dictate grid positions for Race 1. Should because of the size entry and additional track time is purchased groups A, B & C will be created. In this situation timed qualifying will count for all races.

2.6.5 Timing will commence when the green flag is shown.

2.7 Grid

2.7.1 The maximum grid will not exceed that prescribed on the Track Licence.

2.7.2 Timed Qualifying results will dictate the grid positions for Race 1.

2.7.3 The grid for Race 2 will be determined by the drivers fastest lap from Race 1 and so on unless otherwise stated in the SR's or Final Instructions. Regardless of class.

2.7.4 If a driver does not record a time in qualifying, he/she will start from the back in Race 1

2.7.5 If a situation is deemed force majeure the current Championship positions will be used to determine the grid.

2.7.6 The Clerk of the Course may permit any non-finisher of Race 1 to participate in Race 2 and for any meeting with more than two races permission may be provided to participate in Race 3 for any non-finisher in Race 2.

2.8 Races

2.8.1 Each class will have, at least, two races:

2.8.2 Race distance will be a minimum of 12 minutes and will be confirmed in the Supplementary Regulations and/or Final Instructions.

2.8.3 A race duration may be amended due prevailing circumstances by the Race Director/Clerk of the Course

2.9 Starts

2.9.1 Starts will be in accordance with (U)7.6.3 of the Motorsport UK Yearbook.

2.9.2 The pole position driver may be penalised if the speed is considered to be too fast or too slow.

2.9.3 Penalties may be imposed on any driver considered to have broken formation prior to the start signal.

2.10 Race Stops

2.10.1 In the event of a race stoppage (Q)12.1.5 will apply.

The Super Series 2024

by the British Superkart Racing Club

Issued by the BSRC:

Version: **Approved**

2.11 End of session

- 2.11.1** At the end of the session karts will be directed into a designated area.
- 2.11.2** All drivers must report to scrutineering and weighing area.
- 2.11.3** Other than the driver and officials no person is permitted in this area until signified to do so by the Scrutineer.
- 2.11.4** Drivers should not leave this area without the specific permission or instruction of the Eligibility Scrutineer or his Deputy
- 2.11.5** It is recommended that any Entrant should be satisfied that the driver has been given authority to leave.
- 2.11.6** Any driver or kart having left the area without permission will be reported to the Clerk of the Course and may be disqualified from the session, as a minimum.
- 2.11.7** The Scrutineering declaration will be validated against the equipment used
- 2.11.8** Should it be found that any of the equipment numbers do not comply with the recorded detail it will be considered a statement of fact and the Scrutineer will provide the necessary report to Clerk of the Course. The minimum penalty may be disqualification from that session, in which case (C)3.5.1 will not apply.
- 2.11.9** It is the Competitors responsibility to ensure that any seal or mark is not missing or damaged.
- 2.11.10** No seal can be replaced if the kart has left parc ferme
- 2.11.12** The Scrutineer may seal the chassis or engine(s) and request the fitting of special nuts to the equipment for this purpose.
- 2.11.13** At any time, during the meeting, the Eligibility Scrutineer may request the removal of any component.
- 2.11.14** A component may be sealed and held by the Scrutineer and replaced with a standard homologated unit, by the Scrutineer, for use for the remainder of the meeting. The replacement unit must then be returned in good working order at the end of the meeting.
- 2.11.15** The Scrutineer may seal the chassis or engine(s) and request the fitting of special nuts to the equipment for this purpose.
- 2.11.16** A component may be sealed and held by the Scrutineer and replaced with a standard homologated unit, by the Scrutineer, for use for the remainder of the meeting. The replacement unit must then be returned in good working order at the end of the meeting.
- 2.11.17** Unless the original part is impounded for testing the Scrutineer will return it when the replacement unit is returned.

2.12 Results

Results will be issued in accordance with the Motorsport UK General Regulations.

All results will be deemed provisional until the conclusion of any technical and/or judicial matters.

The Super Series 2024 by the British Superkart Racing Club

Issued by the BSRC:

Version: **Approved**

3	Judicial and Penalties
----------	-------------------------------

In accordance with the current Motorsport UK Yearbook.

3.1 Judicial Procedures

The Championship will follow the current blue book regulations section C.

The Super Series 2024 by the British Superkart Racing Club

Issued by the BSRC:

Version: **Approved**

4 Race with Respect



A socially minded standard of behaviour is expected from everyone within the motorsport community.

By participating in a Motorsport UK event in any capacity you agree to follow the values of the Respect Code:
Motorsportuk.org/racewithrespect
#RaceWithRespect

I pledge to #RaceWithRespect and:

- Contribute to a welcoming and friendly environment that ensures the safety and welfare of all participants.
- Always behave with integrity and uphold fairness in the sport; play your part in keeping the sport safe through your actions.
- Treat everyone with respect, regardless of their gender, ethnic or social background, language, religious or other beliefs, disability, sexual identity or other status
- Recognise that we all represent the sport and therefore have a duty to be polite and respectful to all staff, officials, fellow competitors, volunteers, as well as fans and supporters.
- Respect the rules, regulations and authority of the officials and Motorsport UK

Any breach of these obligations may result in disciplinary action.

- 4.1** By registering for the Championships, all competitors and their associates commit to the Motorsport UK Race with Respect campaign and agree to positively promote and demonstrate the Racing Code.
Where any report of disrespectful conduct is judged to be well founded the championship organisers may issue warnings or require remedial actions and/or report the matter to the Championship Stewards who may impose appropriate penalties which can include loss of Championship points and/or race bans through to Championship Expulsion and referral to the Motorsport UK
- 4.2 Social Media**
Social media, including, but not restricted to Facebook, Instagram, Twitter etc, is a powerful and wide-reaching medium for the expression of views and opinions, and the sharing of photographs and video. As such, competitors should be aware that their conduct on social media regarding the Championships, the BSRC and its drivers should reflect the impact social media has.
If a competitor is considered to have brought the Championship and the BSRC into disrepute in the opinion of the Championship Stewards, they may be subject to a penalty or disqualification from the Championship.
Additionally, competitors are reminded that the Motorsport UK monitor social media and any remarks that are deemed to bring the sport into disrepute can lead to penalties.
For clarity, it is accepted that crashes are an inevitable feature of motorsport and the posting on social media of imagery containing a crash does not bring motorsport into disrepute, but competitors are reminded associated comments may do.

The Super Series 2024 by the British Superkart Racing Club

Issued by the BSRC:

Version: **Approved**

The extracts in section 5 are taken from the Motorsport UK Yearbook. For full details go to Section U.

5	General Technical Regulations
----------	--------------------------------------

- 5.1** Modification, addition, variation or tuning other than specifically permitted in these regulations is prohibited **IF IN DOUBT DON'T**
- 5.1.1** Anyone requiring clarification or definitions concerning the technical content of these regulations should apply in writing to the Championship Coordinator in the first instance
The approval of a vehicle or component herein is an indication of acceptance solely for the purpose of these regulations and is not to be taken as a guarantee or warranty as to the standard of its design or manufacture, or its fitness or suitability for any use to which it may be put.
- Should any Competitor be found to be using fuel and/or additives, tyres or equipment not conforming to these regulations, For the specific class criteria, they will be solely responsible for any costs incurred by the Organisers, to carry out any tests or eligibility procedures:
Failure to refund the Organisers, upon written request, within 14 days of the request will be reported to the Championship Stewards who may impose further penalty, which may include, but not limited to, disqualification from the Championship and reporting the dishonoured payment to Motorsport UK Executive in accordance with (C)1.1.13.
- 5.2** **Fuel**
All systems of injection and/or spraying of products other than fuel is forbidden.
The use of power boosting or octane boosting additives by competitors in any fuel is prohibited.
Some power/octane boosters are carcinogenic.
It is mandatory to place the fuel tank between the main tubes of the chassis frame, ahead of the seat and behind the rotation axis of the front steering. Side tanks are not permitted.
Only unleaded fuel complying with the specifications laid down in Appendix 4 of the CIK Technical Regulations or Motorsport UK Regulations will be used. i.e maximum 102 octane.
All competitors are reminded of the law and Health & Safety Executive regulations relating to fuel storage and the transportation of petrol fuel, all appropriate precautions must be observed at circuits.
At least 1 litre of fuel must be left in the tank at the end of a race for fuel testing. Costs incurred for testing fuel as a result of a failed fuel sample will be payable by the driver concerned.
- 5.3** Petrol Tank Venting: It is recommended that a non-return valve be fitted to the petrol tank breather pipe.
- 5.4** Fuel tank. The total fuel tank capacity must be 19 litres maximum.
- 5.5** **FIRE EXTINGUISHERS**
All drivers must have present at race meetings a fire extinguisher to BSEN3 or EN3 standard with a minimum 55B rating. Environmental scrutineers will carry out spot checks in the paddock. (Note: Type B means for use with flammable liquids, and the 55 refers to the capacity. The actual extinguisher is not specified, but Halon is no longer legal in the UK. Fire extinguishers must be kept at the entrance to the competitors' pit space at all times.
It is recommended that competitors with enclosed awnings have a minimum of a 2kg foam or powder extinguisher, and if more than one private competitor is sharing the awning then a minimum of two 2kg extinguishers be available. Commercial enterprises should be aware of the health and safety at work legislation and provide a minimum of two 6kg foam or powder extinguishers to be placed at the entrance of the awning.
- 5.6** **BODYWORK & BUMPERS (U17.11 to U17.24.5 will apply)**
All gearbox karts must be fitted with bumpers and/or bodywork providing front, rear and side protection unless specifically varied in class regulations. On long circuit all forms of bodywork styles are permitted unless stated otherwise in specific class or championship regulations. It should however be understood that the use of one or all of wing(s) (L/C style), front fairing and side pods that are above the horizontal plane passing through the top of the front and rear tyres (L/C style) will attract a higher minimum weight limit. (see class regulations for detail)
- 5.7.1** **Bubble Shield**
Should the bubble – shield be a separate structure, it's maximum width will be 500mm and the width of its fixing frame will be 250 – 300mm.

5.7.2 Should a complete bodywork and bubble-shield be used, the bubble-shield shall be connected to the bodywork by no more than four quick release clips and shall have no other fixing device. The quick release clips must be removable without the use of tools. (U17.22.1)

5.7.3 **Bodywork components** - Carbon Fibre or Kevlar bodywork is specifically permitted in: - Superkart Div. 1, 250 Mono, 450 National and 125 Open

5.7.4 **Front, Rear and Side protection**

Front and Rear bumpers and side protection bars complying with CIK Regulations for Superkarts are also permitted.

5.8 **Dimensions**

5.8.1	Minimum		Maximum	
	125 KZ L/C	101cm	125 KZ L/C	127cm
	125 Open	101cm	125 Open	127cm
	250 National	106cm	250 Mono	127cm
	450 National	106cm	450 National	127cm
	Superkart Div. 1	106cm	Superkart Div. 1	127cm

5.8.2 Maximum Overall length - 210cm

5.8.3 No part of the kart can protrude outside the quadrilateral formed by the front fairing, rear bumper and outer face of the wheels and tyres, nor be higher than 65cm from the ground (except for a structure solely designed as a head rest). (U16.5)

5.8.4 No part of the bodywork, including wings and end plates shall be higher than 60cm from the ground (except for structures solely designed as head rests with no possible aerodynamic effect) (U17.21 and U 17.21.1)

5.9 **Engines**

5.9.1 New engines for 250 National and 450 National will only be allowed to Register on a three-year basis. The current period for new engines commenced 1.1.2022 in 250 Mono and 450 National Engines being put forward for registration should be presented for inspection to the Motorsport UK

5.10 **Number Plates**

5.10.1 **The Number plate colours shall be: -**

125 KZ L/C - Yellow

125 Open - Blue

250 Mono - White

450 National - Red

Superkart Division 1 - Yellow

It is permitted to have a short circuit size number plate on the rear only. (220mm x 220mm)

KTE – 2024 - ???

5.11 Drivers coming in positions 1 – 9 in the 2023 Super Series will be entitled to use the following numbers if they so choose.

- i. Superkart Division 1 numbers 1 – 9 (yellow background black numbers);
- ii. 250 Mono numbers 101 – 109 (white background black numbers)

N.B These numbers can only be run at BSRC club events.

5.11.1 The Super Cup Champion in Division 1 Superkart and F250 Mono will be entitled to run S and S1 if they so choose.

5.11.2 The numbers will be allocated by the Organiser at acceptance of registration which will be provided once the Organiser has validated the race number and will be the permanent race number for the duration of the Championship.

The Super Series 2024

by the British Superkart Racing Club

Issued by the BSRC:

Version: **Approved**

5.12 **Ballast**

It is forbidden to attach ballast to the seat but only to the main tubes of the chassis frame or to the floor tray with at least two bolts of a minimum diameter of 6mm

5.13 **Cameras**

5.13.1 The use of on-board camera equipment is prohibited unless authorised by the event organisers and the Chief Scrutineer. Permission must be sought from the Clerk of the Course before commencement of racing. The installation of the camera equipment must be part of the pre-race scrutineering process to ensure it is safely installed.

The mounting of any camera must be specifically approved by the Chief Scrutineer. Any mountings must use a mechanical means of attachment sufficiently robust to withstand anticipated stresses and vibration and must not present any sharp edges or projections in the vicinity of the driver's body or helmet.

Where possible, a secondary means of attachment should also be used. Suction mounts are not acceptable as the

primary mounting method. Where cameras are fitted by professional TV or film companies, the Chief Scrutineer has discretion to approve non-mechanical mountings."

We encourage and approve of the properly controlled use of cameras. Circuit rules prevail which may ask for prior approval in advance of the event.

5.14 **Axles**

5.14.1 For Long Circuit all rear axles must be fitted with a circlip – or a similar effective hub retaining device – on each end of the axle

5.15 **Transmission (Axles)**

5.15.1 The axle wall thickness at all points (except in keyway housings) must comply as minimum to the dimensions shown in the table below.

Exceptionally axles for use in 125 Open, 250 Mono and 450 National classes with a diameter greater than 40mm must have a minimum wall thickness of 2.9mm.

In Superkart Division 1 the rear axle must have a maximum external diameter of 40mm and a minimum wall thickness at all points (except in keyway housings) of 2.5mm

Please also refer to class regulations for any variations.

Maximum External Dia. (mm)	Minimum Thickness (mm)	Maximum External Dia. (mm)	Minimum Thickness (mm)
30	4.9	41	2.8
31	4.7	42	2.6
32	4.4	43	2.5
33	4.2	44	2.4
34	4.0	45	2.3
35	3.8	46	2.2
36	3.6	47	2.1
37	3.4	48	2.0
38	3.2	49	2.0
39	3.1	50	1.9
40	2.9		

5.16 **Seat**

5.16.1 All seats must incorporate a head rest with the exception of the short circuit style karts in 125 KZ L/C

The Super Series 2023

by the British Superkart Racing Club

Issued by the BSRC:

Version: **Approved**

5.17 **Wheels and Tyres**

5.17.1

It is recommended that the Nyloc nuts that retain the wheels to the hubs be changed ideally every time or certainly frequently. It is also **RECOMMENDED** not to use hammer guns for the tightening of wheel nuts. For long circuits all wheels must be fitted with some form of bead retention inside and outside. Bead retention as a minimum is defined as a wheel with a minimum of a 0.5mm raised lip on the inner edges of the tyre housing. For all gearbox karts both rear outer rims must, in all cases, incorporate additional bead retention consisting of three pegs at equidistant positions applicable to the outside rims on both 5" & 6" wheels. This is applicable on both wet and dry tyres.

5.17.2

F125 Open

Open - 5" or 6" diameter wheels and tyres with a maximum tyre size width of 8" rears and 5.5" fronts may be used. It is not permitted to mix 5" and 6" tyres on the same axle line.

5.17.3

F125 KZ L/C - 5" diameter wheels with maximum tyre width of 7.1"

5.17.4

250 Mono - 6" diameter wheels and tyres only must be used with a max. tyre width of 8".

5.17.5

450 National - 6" diameter wheels and tyres only must be used with a max. tyre width of 8".

5.17.6

Superkart Division 1 - 6" diameter wheels and tyres only must be used with a max. tyre width of 8".

5.17.7

For all gearbox karts, valve caps must be fitted to all valves at the start of each race or practice session. Metal caps are **RECOMMENDED**.

5.17.8

The use of chemical treatment on tyres is expressly forbidden. Any competitor found using chemical treatment on tyres in contravention of Motorsport UK Blue Book, will be banned from racing for a minimum of one year.

5.17.9

Only tyres that have been CIK homologated are permitted. See class regulations for those tyres specifically permitted.

5.18 **Rain Lights**

5.18.1

Applicable ALL classes (with wing or without)

A rear facing high intensity light will be permanently illuminated when wet tyres are fitted to the kart and/or a

race is designated as a wet race or instructed to do so by the Clerk of the Course. Only lamps having a high-intensity, polarised light source will be permitted.

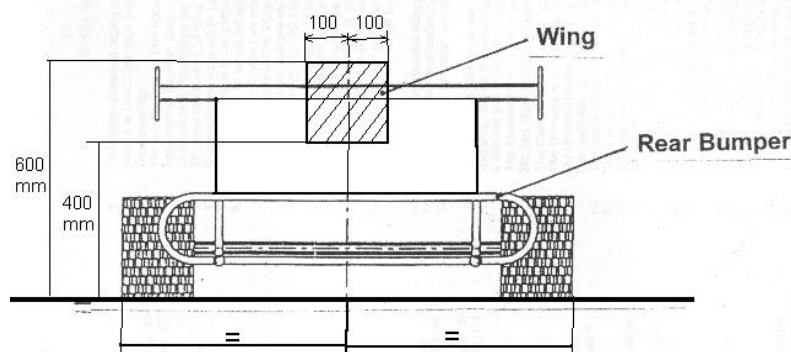
Only the lights registered for use with the Motorsport UK/CIK will be eligible.

The lens shall have a minimum surface area of **28cm²** and the illumination must be visible from a point 45 degrees either side of centre line. The lamp unit will be mounted securely, forward of the rear bumper. And the whole illuminated area of the light is to be positioned in the area shown in the diagram below, in wet and dry tyre configuration. The light must be able to be switched on by the driver when seated in the normal driving position,

by means of a **switch** and not by wires joined together or terminals connected to a power source.

Karts with lights not switched on when a race is declared wet will not be let out onto the circuit from the Assembly Area or Pit Lane.

5.18.2



The Super Series 2023

by the British Superkart Racing Club

Issued by the BSRC :

Version : **Approved**

5.19 **NOISE CONTROL AND NOISE TESTING**

5.19.1 Noise Testing – In order to reduce the noise, efficient exhaust silencers are compulsory. The noise limit in force is 102 dB/a maximum, including all tolerances and the influence of the environment. The noise will be measured at a distance of 0.5 metres from the exit of the silencer and at an angle of 45 degrees. The noise will be measured at an engine speed of: -

Superkart Division 1 - 7000 rpm (A 250 National running in Superkart Div. 1 is 5500 rpm)

250 Mono & 450 National - 5500 rpm.

125 Open - 7000 rpm

125 KZ L/C - 7000rpm

Specific local noise regulations and monitoring will take precedence over these regulations.

5.19.2 **Noise Control**

All gearbox karts (CIK Division 1 not required) must have a current or previously homologated CIK intake box correctly fitted, or one that is approved for that class.

A CIK homologated box must not be modified except for drilling holes in the mounting flange and drilling a maximum of two holes in the box wall, for the sole purposes of mounting on Gearbox karts. The carburettor adapter is free providing a petrol tight joint is made between the box and the carburettor.

All air entering the intake silencer must do so without the addition or proximity of any device that may direct an increased flow of air from the forward movement of the kart towards the inlet. (Not Div. 1)

The following boxes have been approved for use on gearbox karts: -

Single Cylinder FIS/2RV Motivation Design and Development Filtered Induction System Assembly, side fitting for rotary valve gearbox class engines, fitted with Pipercross foam filter element.

Twin Cylinder FIS/2T Motivation Design and Development Filtered Induction System Assembly, side fitting for rotary valve twin cylinder gearbox class engines, fitted with Pipercross foam filter element.

Single Cylinder FIS/2PR Motivation Design and Development Filtered Induction System Assembly, for 450ccc single cylinder four stroke engines and reed valve or piston port induction single cylinder two stroke gearbox class engines, fitted with Pipercross foam filter element. It must be fitted with the intake trumpets facing towards the ground.

Single Cylinder FIS System 4 Clark Filtered Induction System Assembly, for 450cc single cylinder four stroke engines on Long Circuit ONLY.

Single Cylinder Motiv A.F.I.S System 1 Filtered Induction System Assembly for 250 National engines on Long Circuit ONLY. The KGR 13768 intake box is approved for F450 National.

Unless specifically authorised, exhaust lengths may not be varied whilst the kart is in motion.

250 Mono, 125 Open, F125 KZ L/C

Karts shall be provided with an exhaust silencer lying approximately parallel to the rear axle of the kart and fed by a gas-tight tubular link pipe of a minimum 300mm length from the exit of the expansion chamber to the entrance of the silencer/muffler.

The link pipe must have a bend of approximately 180 degrees for the engines exhaust ported to the rear. For engines exhaust ported to the front, the bend must be between approximately 45 degrees and approximately 180 degrees.

The muffler must have an external minimum cross section of 100mm and a minimum canister length of 380mm. The canister must be used with muffling material and/or baffling plates to be an efficient silencer. The exhaust exit diameter of the canister must be no greater than 38mm.

450 National

Karts shall be provided with an exhaust silencer lying across and over the rear axle of the kart in a downward facing direction and fed by a gas-tight header pipe from the exit of the engine to the entrance of the silencer/muffler.

The muffler must have an external minimum cross section of 100mm and a minimum canister length of 380mm. The canister must be used with muffling material and/or baffling plates to be an efficient silencer. The exhaust exit diameter of the canister must be no greater than 38mm.

Attention must be given to silencing systems maintenance. With the published reductions to permitted levels it is important that flex connections and joints are checked regularly and made good. Exhaust silencers which are capable of being repacked can suffer from declining performance and it is essential that repacking is carried out in accordance with manufacturer's instructions.

5.19.3 In all classes (including Superkart Division 1) the exhaust system must discharge behind the driver and must not exceed a height of 45cm

The Super Series 2023

by the British Superkart Racing Club

Issued by the BSRC :

Version : **Approved**

6. Class Regulations

Superkart

SK1.1. Class. F125 KZ L/C incorporating the Anderson AK Cup

SK1.2 Introduction

This class will be built around the KZ2 S/C regulations including 5" wheels and tyres with either short or long circuit chassis and bodywork permitted.

The objective is to enable Short Circuit equipment to be able to cross over to Long Circuit easily whilst giving the those with Long Circuit chassis the ability to race in KZ2 L/C with their existing chassis type.

SK1.3. Chassis. Any chassis complying with Motorsport UK regulations for gearbox karts are permitted. i.e long or short circuit spec. The chassis does not have to be CIK-FIA homologated.

SK1.4 Bodywork. Can be long or short circuit style bodywork. If any element of long circuit style bodywork is used, please refer to the weight regulations below.

SK1.5 Bumpers. Must comply with Motorsport UK Yearbook regulations for gearbox karts.

SK1.6 Engine. All engines must be currently or previously homologated by the CIK-FIA for KZ2.

SK1.6.1. Carburettor. Dell'Orto VSH 30 (CS) or (BS). The carburettor must remain strictly original except that the internal bore may be polished. The only settings allowed may be made to the slide, the needle, the floats, the float chamber, the needle shaft (spray), the jets and the needle kit, subject to all the interchanged parts being of Dell'Orto origin. The incorporated petrol filter and the plate (part No. 28 on the technical drawing No. 7) may be removed; if they are kept, they must be original.

SK1.6.2. Transmission. Must be mechanical with no electrical, electronic, hydraulic or pneumatic operation or assistance. No form of ignition control to aid gear changing is permitted, for example continuous traction system (cts). Axle. In accordance with U18.8 and not required to be CIK-FIA homologated.

SK1.6.3. Noise & Exhaust. Motorsport UK Yearbook noise limits apply and APPENDIX 3. Homologated exhaust is not mandatory, the magnetic steel sheet metal thickness.

SK1.6.4. Tuning Regulations: The mix and match of cylinder, cylinder head and crankcase from different homologation periods of the same manufacturer is permitted.

SK1.7. Brakes. A brake disc protector is mandatory in accordance with Motorsport UK Yearbook and CIK-FIA regulations (U16.10.10).

SK1.8. Tyres. This class is limited to 5" diameter wheels with a maximum tyre width of 7.1". They are:

<u>Dunlop</u>	<u>Maxxis</u>	<u>Le Cont</u>	<u>MG</u>	<u>Mojo</u>	<u>Vega</u>
DGM	MA-SR1	SVC	SM	D5	XM3
DGH		SVB	SH	D2XX	XH3
Wets KT14		Wets SV1	Wets SW	Wets W5	Wets W6 CIK

2024 – 2026 CIK Homologated Tyres - Full 2024 information not available yet

<u>Dunlop</u>	<u>Maxxis</u>	<u>Le Cont</u>	<u>MG</u>	<u>Mojo</u>	<u>Vega</u>
DHM					
DHH					
Wets -					

SK1.8.1 Only one new set of tyres is permitted per event. Tyres will be marked and/or bar coded and recorded.

SK1.9 Weight. Minimum 180kg short circuit trim, including driver at all times.

If one or more element of Long Circuit bodywork are fitted (excluding a bubble) then the minimum weight will be 190kgs.

SK1.10 Plates. Yellow plates with black numbers. U17.27 applies.

SK1.11 Age. The class is open to any driver aged 16 or over. A junior may transfer to the class at any time during the calendar year of their 16th birthday, provided that they hold a minimum of a Kart National licence and have competed in a minimum of 10 Motorsport UK Kart Events across a minimum of 3 different venues. The class is also open to drivers aged 15 and over and who are in possession of an International ITE licence.

SK1.12. Rain Lights All karts on long circuit must be fitted with a rain light.

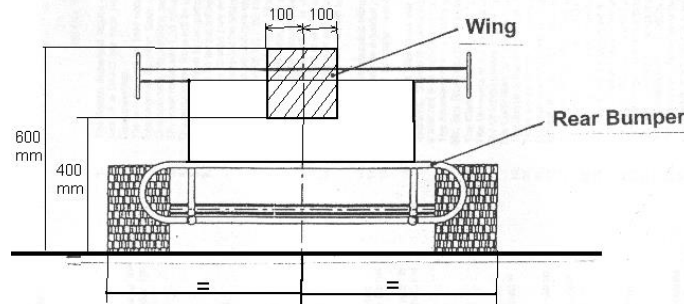
Applicable ALL classes (with wing or without)

A rear facing high intensity light will be permanently illuminated when wet tyres are fitted to the kart and/or a race is designated as a wet race or instructed to do so by the Clerk of the Course. Only lamps having a high-intensity, polarised light source will be permitted.

Only the lights registered for use with the Motorsport UK/CIK will be eligible.

The lens shall have a minimum surface area of **28cm²**, and the illumination must be visible from a point 45 degrees either side of centre line. The lamp unit will be mounted securely, forward of the rear bumper and the whole illuminated area of the light is to be positioned in the area shown in the diagram below, in wet and dry tyre configuration.

The light must be able to be switched on by the driver when seated in the normal driving position, by means of a **switch** and not by wires joined together or terminals connected to a power source. Karts with lights not switched on when a race is declared wet will not be let out onto the circuit from the Assembly Area or Pit Lane.



Draft Anderson AK Cup - Specific Rules

ENGINE

Only TM R1 Engines allowed.
Standard KZ 2 engine rules apply.
Airbox must be Nitro KE or Freeline
No mix and match of parts
Exhaust must be the Homologated type for the R1

TYRES

SLICK Le Cont
WETS Le Cont
N.B. Once the 2024 CIK is published a single slick will be nominated.

FUEL Pump Fuel only - Max. 99 Octane

WEIGHT 190 KG

AK CHASSIS

Wheelbase 110cm (+ or - 3mm)
30mm Axle
No Ackerman steering geometry on steering column
LV (low volume wheels)
Standard Anderson water cooling body
A Nose splitter is allowed.
No adjustable castor/camber
Brakes - Kelgate or 5 Star only.
No engine cradle allowed.
No carbon fibre or Kevlar except for the seat
New style side bumpers must be fitted to kart.
No testing before the meeting unless no practice available on race day

The Super Series 2023

by the British Superkart Racing Club

Issued by the BSRC:

Version: Approved

Superkart

SK2.1. Class. F125 Open

SK2.2. Introduction. This class is for water cooled, 125cc, single-cylinder engines with a minimum bore of 53.9mm and a maximum stroke of 54.6mm. Fitted with a gearbox with a minimum of 3 forward gears and a maximum of 6 forward gears.

Regulations as per Motorsport UK Yearbook & Karting Yearbook where applicable.

SK2.3. Chassis. Must conform to current Motorsport UK Yearbook Regulations. All chassis main parts must be firmly secured together on to the chassis frame. Flexible connections are only authorised for the conventional steering knuckle support, and for the steering system. All other devices with the function of one, two or three-dimensional joints are forbidden. The chassis frame is the central and main supporting element of the entire vehicle. It must have the necessary strength in order to be able to absorb the loads which are produced when the vehicle is in motion. Any hydraulic, pneumatic, or elastomeric elements for damping chassis oscillation are forbidden.

SK2.4. Engine. Any water-cooled engine with a single cooling circuit that is previously or currently registered/homologated for the 125 Open & CIK KZ1 and KZ2.

The engine must have a maximum of 3 exhaust ports/passages and a maximum of 6 transfer ports/passages.

SK2.4.1. Tuning regulations. Modifications to the engine are allowed, with the following limitations:

- Engines may be fitted with a piston from any other eligible engine with the same nominal bore.
- The bore and stroke may not be modified beyond the maximum 125cc capacity.
- Crankshaft must be from the manufacturers parts list but may be modified. For example, stuffer plates may be added, balance holes may be drilled and/or filled.
- The engine may be fitted with a connecting rod from any other eligible engine. The length can be from 105mm to 115mm between centres. The connecting rod must be made entirely from magnetic steel.
- The engine may be fitted with a cylinder and head from a previous or later models of the same make providing the crankcase and/or cylinder stud centres are not changed.
- Two-piece cylinder heads are allowed. Heads must be original manufacture. Head volume is free choice.
- The crankcase may have its volume changed by machining or adding stuffing material.
- To accommodate different connecting rods and pistons the cylinder head, the cylinder base and top and the crankcase deck may be machined. Extra cylinder gaskets or spacers may be fitted.

SK2.4.2. Ignition. May be self-generating and/or battery powered. Ignitions are open choice, but timing and cartography may under no circumstances be modified whilst the kart is in motion.

SK2.4.3 Noise Control. As per Motorsport UK Yearbook U16.16 and Karting Yearbook Appendix 3, See 5.19, 5.19.1, 5.19.2, 5.19.3 in the General Technical regulations above.

SK2.4.4. Carburation. All air and fuel for combustion must pass through a single carburettor from the following list:

Del Orto: PHBE, PHM, PHSB, VHSB, VHSC, VSHH

Kiehen: PWK, PWM, PJ

Mikuni: VM, TM, TMX

Lectron: Power Jet, Power Jet High Velocity

The carburettor may be bored or modified. Electronic carburation systems are not permitted.

SK2.4.5. Expansion chamber. Free choice of design but made from magnetic steel only.

SK2.4.6. Cooling. Only water (H₂O) is authorised for use in the cooling system.

SK2.4.7 Transmission. Free choice of gearbox and primary gears

SK2.5 Brakes. As specified in The Motorsport UK Yearbook section U16.10.1 to U16.10.10

SK2.6 Wheels and tyres. 5" or 6" diameter wheels and tyres with a maximum tyre size width of 8" rears and 5.5" fronts may be used. It is not permitted to mix 5" and 6" tyres on the same axle line. Only CIK homologated tyres are permitted from the periods 2014 to 2026. They are:

<u>Dunlop</u>	<u>Maxxis</u>	<u>Le Cont</u>	<u>MG</u>	<u>Mojo</u>	<u>Vega</u>
DGM	MA-SR1	SVC	SM	D5	XM3
DGH		SVB	SH	D2XX	XH3
Wets KT14		Wets SV1	Wets SW	Wets W5	Wets W6 CIK

2024 – 2026 CIK Homologated Tyres - Full 2024 information not available yet

Dunlop	Maxxis	Le Cont	MG	Mojo	Vega
DHM					
DHH					
Wets -					

6" Tyres

Dunlop	Hoosier
DGS	R60B SK
DES	
Wets - KT14	Wets – W2 & W3

Plus 2024 CIK Homologated tyres. Full 2024 information not available yet

SK2.6.1 Only one new set of tyres is permitted per event. Tyres will be marked and/or bar coded and recorded.

SK2.7 General.

SK2.7.1 Weight.

Long circuit style bodywork – 195kgs minimum.

Short circuit style bodywork – 180kgs minimum

SK2.7.2 Number plates. Blue background, with white numbers. U17.26-27 applies, unless varied in Championship Regulations.

SK2.7.3 Age. The class is open to any driver aged 16 or over. Novice drivers are permitted but must display the relevant novice plate as U17.27.4.

SK2.7.4 Rain Lights All karts on long circuit must be fitted with a rain light.

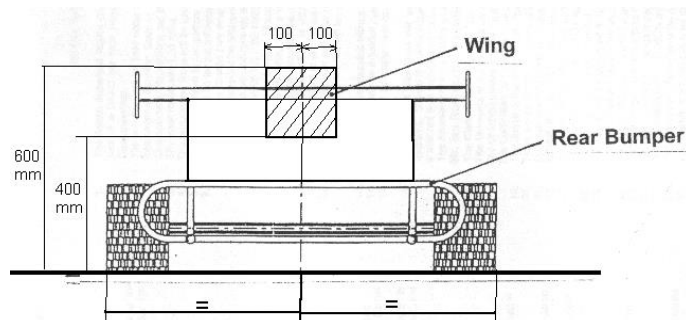
Applicable ALL classes (with wing or without)

A rear facing high intensity light will be permanently illuminated when wet tyres are fitted to the kart and/or a race is designated as a wet race or instructed to do so by the Clerk of the Course. Only lamps having a high-intensity, polarised light source will be permitted.

Only the lights registered for use with the Motorsport UK/CIK will be eligible.

The lens shall have a minimum surface area of **28cm²** and the illumination must be visible from a point 45 degrees either side of centre line. The lamp unit will be mounted securely, forward of the rear bumper and the whole illuminated area of the light is to be positioned in the area shown in the diagram below, in wet and dry tyre configuration.

The light must be able to be switched on by the driver when seated in the normal driving position, by means of a **switch** and not by wires joined together or terminals connected to a power source. Karts with lights not switched on when a race is declared wet will not be let out onto the circuit from the Assembly Area or Pit Lane.



SUPERKART

SK3.1 Class. Superkart 250 Mono

SK3.2. Introduction. This class is restricted to Motorsport UK registered single-cylinder engines. Engines must be a maximum of 250cc. The engines must be designed to have no more than five gears or modified to have no more than five operational gears, and with piston and/or reed valve induction into the original induction tract.

Provided they are registered with Motorsport UK in the appropriate time period "kit engines" are permitted, e.g., engines using donor parts from an existing engine or upgrade parts for an existing engine. Any alternative parts registered to fit an existing engine must be direct replacements without any requirement for machining of the original engine. Regulations as per Motorsport UK Yearbook 2023.

The Rotax 257 in five or six speed form is permitted.

The class is the only large capacity (over 125cc) mono cylinder class recognised for short and long circuit.

A new registration period commenced on 01.01.2022.

Registration of new engines into the class is on a three year basis, the next permitted update of engines in these classes will be for the 2025 season.

So long as the silhouette of the crankcase, the sprocket output orientation position and bore and stroke of the engine remains unchanged, evolution model numbers are accepted if complying with 3.4. References to Section U refer to the Motorsport UK Yearbook.

SK3.3. Chassis. Any chassis complying with Motorsport UK Yearbook Regulations for gearbox karts. All chassis main parts must be firmly secured together on to the chassis frame. Flexible connections are only authorised for the conventional steering knuckle support, and for the steering system. All other devices with the function of one-, two- or three-dimensional joints are forbidden. The chassis frame is the central and main supporting element of the entire vehicle. It must have the necessary strength in order to be able to absorb the loads which are produced when the vehicle is in motion. Any hydraulic, pneumatic or elastomeric elements for damping chassis oscillation are forbidden. Minimum wheelbase is 106cm

SK3.3.1. Bodywork and bumpers. CIK-homologated bodywork is only permitted if fitted with bumpers (front & side) specified in U17.2 to U17.12.11 and U17.14 through to U 17.17.4 of the Motorsport UK Yearbook

SK3.4.1 Tuning Regulations: Modifications to the engine are allowed, provided the following are not varied:

- a) Stroke
- b) Bore (outside maximum limits)
- c) Connecting rod centre (magnetic material only)
- d) Crankshaft must be on the manufacturers parts list
- e) External appearance on the engine other than carburettor, ignition system, carburettor rubber mounting, clutch cover, engine mounting points. It is permitted to remove any kick start mechanism bumps and bosses on the back of the crankcases and the addition of a fuel pulse pump adaptor.
- f) Number of carburettors (1 only). The material magnesium is not permitted.
- g) All systems of injection and/or spraying of product other than permitted fuel are forbidden.
- h) No form of electronic carburation system.

Please Note - We have not included the tuning regulations for Engines up to 180cc because these engines do not form part of the Super Series by BSRC

SK3.4.2. Ignition. The ignition system type is open, but the electronic unit box and the coil must receive only one feeding energy source of the rotor/stator or of a battery and one crankshaft pick-up signal in order to set the ignition signal. The advance and cartography may under no circumstances be modifiable whilst the kart is in motion.

SK3.4.3. Noise control. As per Motorsport UK Yearbook U16.16 and Karting Yearbook Appendix 3. It is also shown in **5.19, 5.19.1, 5.19.2, 5.19.3** in these Super Series regulations.

SK3.4.4. Cooling. Only water (H₂O) is authorised for use in the cooling system.

SK3.5. Transmission. Engines over 179 cc: Maximum of five gears except for the Rotax 257 which can be used in 5 or 6 speed form. Gear ratios can be varied.

SK3.6. Wheels and tyres. Only 6" diameter wheels and tyres can be used with a max. tyre width of 8".

Only CIK homologated tyres are permitted from the periods 2014 onwards. They are:

F250 Mono - 6"

Dunlop Hoosier
DGS R60B SK
DES

Wets - KT14 Wets – W2 & W3

Plus 2024 CIK Homologated tyres

SK3.6.1 Only one new set of tyres are permitted per event. Tyres will be marked and/or bar coded and recorded.

SK3.7. General.

SK3.7.1. Weight. The minimum weight with driver on the completion of any part of the event will be 195kg with just bumpers and side bars. If a wing is fitted to the above the minimum weight will be 200kg. The minimum weight with any other form of bodywork will be 208kg.

SK3.7.2. Number plates. White background, with black numbers. U17.26-27 applies, unless varied in Championship Regulations.

SK3.8.2. Age. The class is open to any driver aged 17 or over.

SK3.9 Rain Lights All karts on long circuit must be fitted with a rain light.

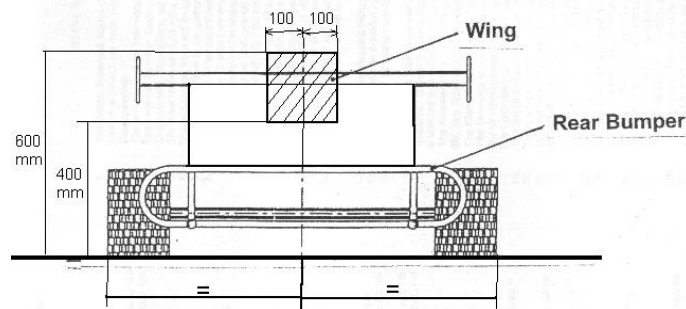
Applicable ALL classes (with wing or without)

A rear facing high intensity light will be permanently illuminated when wet tyres are fitted to the kart and/or a race is designated as a wet race or instructed to do so by the Clerk of the Course. Only lamps having a high-intensity, polarised light source will be permitted.

Only the lights registered for use with the Motorsport UK/CIK will be eligible.

The lens shall have a minimum surface area of **28cm²** and the illumination must be visible from a point 45 degrees either side of centre line. The lamp unit will be mounted securely, forward of the rear bumper and the whole illuminated area of the light is to be positioned in the area shown in the diagram below, in wet and dry tyre configuration.

The light must be able to be switched on by the driver when seated in the normal driving position, by means of a **switch** and not by wires joined together or terminals connected to a power source. Karts with lights not switched on when a race is declared wet will not be let out onto the circuit from the Assembly Area or Pit Lane.



Specific Cup Competition Regulations

250 Mono Cup is open to all drivers who are competing with Pre 2013 Engines.

Eligible Engines

Honda CR250

Rotax 257 (either 5 or 6 speed)

Cagiva WMX 250/88 Cross+

KTM 544/545/546

Moto TM Cross 250

Suzuki RM250 Z to V (1982 -1997 inclusive).

Yamaha YZ250.

SUPERKART

SK4.1. Class. 450 National

SK4.2. Introduction. This class is a performance equivalent to the existing 250 National class and is limited to series production 4 stroke single cylinder engines of a maximum of 450cc designed to have no more than five gears or modified to have no more than five gears. Engines must be readily available production units.

Where engine manufacturers have different specifications of the same base engine, (e.g. Moto X, Super Moto etc) crossover of parts will be permitted between these engine model types but each variant must be registered. Regulations as per Motorsport UK Yearbook 2023

Engines may be registered on a three-yearly basis. The current period for inclusion of new engines commenced 01.01.2022.

Registration of new engines into this class is on a three year basis, the next permitted update of engines in these classes will be for the 2025 season

SK4.3. Chassis. Any chassis complying with Motorsport UK Yearbook Regulations for gearbox karts. All chassis main parts must be firmly secured together on to the chassis frame. Flexible connections are only authorised for the conventional steering knuckle support, and for the steering system . All other devices with the function of one-, two- or three-dimensional joints are forbidden. The chassis frame is the central and main supporting element of the entire vehicle. It must have the necessary strength in order to be able to absorb the loads which are produced when the vehicle is in motion. Any hydraulic, pneumatic or elastomeric elements for damping chassis oscillation are forbidden. Minimum wheelbase is 106cm.

SK4.3.1. Bodywork and bumpers. CIK-homologated bodywork is only permitted if fitted with bumpers (front & side) specified in U17.2 to U17.12.11 and U17.14 through to U 17.17.4 of the Motorsport UK Yearbook

SK4.4. Engine. 4-stroke series production single-cylinder engines up to a maximum of 450cc. All components except ignition, piston, connecting rod and cam clamping blocks must be OEM parts as at the time of manufacture. The connecting rod must be magnetic material. All OEM parts must be on the manufacturers parts list for the model type registered.

Apart from those listed in the tuning regulations below all other OEM parts cannot be modified.

Eligible Engines are as follows: -

- Honda CRF 450R (2004, 2005 & 2006)
- KTM SMR, EXC, SX & SX-F (2003-2007 - 2010-2012)
- KTM SXF (2013 - 2015)
- Yamaha YZ450F Z, A, B & D (2010 – 2013)
- Husqvarna FC (2016 - 2018)
- Rotax Can Am DS450 XXC XMC (2015)
- TM SMX (2015 - 2017)

SK4.4.1. Tuning regulations. Modifications to the engine are allowed according to the following list:

- (a) The OEM cylinder head may be gas flowed and polished.
- (b) Slipper Clutches are permitted.
- (c) The addition of a fuel pulse pump adapter is permitted.
- (d) In the interests of reliability, the fitting of an alternative oil feed system to the engine is permitted.
- (e) In the interest of reliability, the fitting of an alternative oil feed system to the engine is permitted.
- (f) Carburetors and injection bodies must be from the OEM parts list for the engine, which can be modified
The following must not be varied:
- g) Stroke

- h) Bore (outside maximum limits)
- i) Connecting rod centre line and connecting rod centres
- j) Crankshaft
- k) Camshafts
- l) External appearance of the engine must be as original except for the ignition system and oil feed system
- m) Number of carburettors if fitted (1 only).
- n) All systems of injection and/or spraying of products other than permitted fuel are forbidden.
- o) Fuel injection is permitted only if Original Equipment Manufacture on the model being registered.
- p) It is not permitted to have an electronic connection to a carburettor unless this was standard OEM at manufacture. Because it is common practice for engine manufacturers not to put unique numbers on replacement crankcases should a competitor need to change crankcases it is required that the crankcases being replaced be presented to the relevant Championship Eligibility scrutineer who will transfer over the number from the engine crankcases being replaced onto the new crankcases.

SK4.4.2. Ignition. The ignition system type is open, but the electronic unit box and the coil must receive only one feeding energy source of the rotor/stator or of a battery and one crankshaft pick-up signal in order to set the ignition signal. The advance and cartography may under no circumstances be modifiable whilst the kart is in motion.

SK4.4.3. Noise control. As per 2023 Motorsport UK Yearbook U.16.16 and Karting Yearbook Appendix 3. See 5.19, 5.19.1, 5.19.2, 5.19.3 in these Super Series regulations.

SK4.4.4. Cooling. Only water (H₂O) is authorised for use in the cooling system.

SK4.5. Transmission. Maximum of five gears. The engine manufacturer's ratios within the registration must be maintained.

SK4.6. Brakes. As specified in The Motorsport UK Yearbook section U16.10.1 to U16.10.10

SK4.7. Wheels and tyres. 6" diameter wheels and tyres only must be used with a max. tyre width of 8". Only CIK-homologated tyres are permitted from the periods 2014 to 2022, unless stated otherwise in the Championship Regulations

F450 National - 6"

Dunlop Hoosier
DGS R60B SK

DES

Wets - KT14 Wets – W2 & W3

Plus 2024 CIK Homologated tyres

SK4.8. General.

SK4.8.1. Weight. The minimum weight with driver on the completion of any part of the event will be 199kg with just bumpers and side bars. If a wing is fitted to the above the weight will be 204kg. The weight with any other form of bodywork will be 218kg.

SK4.8.2. Number plates. Red background, with white numbers. U17.26-27 applies, unless varied in Championship Regulations.

SK4.8.3. Age. The class is open to any driver aged 17 years or above.

SK4.9 Rain Lights All karts on long circuit must be fitted with a rain light.

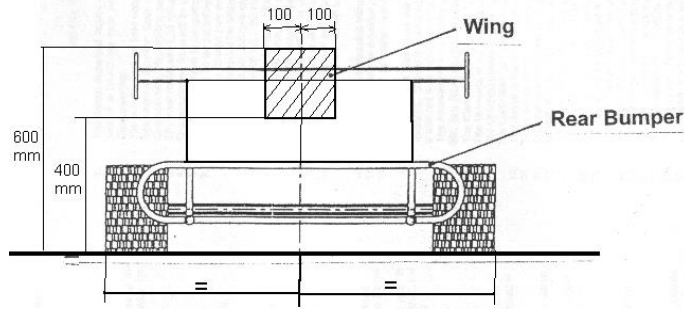
Applicable ALL classes (with wing or without)

A rear facing high intensity light will be permanently illuminated when wet tyres are fitted to the kart and/or a race is designated as a wet race or instructed to do so by the Clerk of the Course. Only lamps having a high-intensity, polarised light source will be permitted.

Only the lights registered for use with the Motorsport UK/CIK will be eligible.

The lens shall have a minimum surface area of **28cm²** and the illumination must be visible from a point 45 degrees either side of centre line. The lamp unit will be mounted securely, forward of the rear bumper and the whole illuminated area of the light is to be positioned in the area shown in the diagram below, in wet and dry tyre configuration.

The light must be able to be switched on by the driver when seated in the normal driving position, by means of a **switch** and not by wires joined together or terminals connected to a power source. Karts with lights not switched on when a race is declared wet will not be let out onto the circuit from the Assembly Area or Pit Lane.



Superkart

SK5.1. Class. Superkart Division 1

SK5.2. Introduction. CIK-FIA regulations for Superkart Division 1 apply unless otherwise stated below. Regulations as per Motorsport UK Yearbook & Karting Yearbook where applicable.

SK5.3. Chassis.

Wheelbase: Minimum: 106cm -- Maximum: 127cm

Track: at least 2/3 of the wheelbase used

Overall length: 210 cm maximum

Overall Width: 140cm maximum

Height: 65cm maximum from the ground, seat excluded.

SK5.4. Engine. All engines currently or previously homologated by the CIK for Division 1 Superkarts.

Maximum cylinder cubic capacity 250cc, obtained either by one engine (maximum 2 cylinders) cooled by natural air flow or water-cooled, or by 2 single-cylinder engines homologated in KZ.

SK5.4.1. Eligible engines. Any currently or previously CIK-homologated engines or alternative parts for Division 1 types of engines allowed:

- 1) Engines from 250cc motorbike Grand Prix competitions designed prior to 2001, approved by the CIK and complying with the basic model sold by the manufacturers, including carburettors, power valves and ignition (according to manufacturer's official catalogue).
The advance and cartography may under no circumstances be modifiable from the driving seat under normal racing conditions.
- 2) Specific engines approved by the CIK for Superkart Division 1.
Mechanical carburettors and power valves, both without electronics.
Ignition: the electronic unit box and the coil must receive only: one feeding (energy source of the rotor/stator or of a battery) and one crankshaft pickup signal in order to set the ignition signal.
For engines with two de-phased cylinders, it is allowed to mount two independent ignitions with two sensors.
The advance and cartography may under no circumstances be modifiable from the driving seat under normal racing conditions.
- 3) In addition to the above prescriptions, the following criteria must be respected for the single cylinder engine:
 - Piston or reed valve induction
 - Connecting rod must be magnetic material only
 - Crankshaft must be on the manufacturer's parts list
 - The number of carburettors is 1 only
 - The material magnesium is not permitted
 - The gearbox has a maximum of five gears.

Modifications to the approved engine are allowed providing the following are not changed:

a) stroke

b) bore (outside maximum limits)

c) connecting rod centre line

d) crankshaft

e) external appearance of the engine other than the carburettor, ignition system, reed block carburettor rubber mounting, clutch cover, engine mounting points.

4) Two single cylinder engines of the same make homologated in KZ1 & KZ2.

Homologated gearbox (check of the ratios using a graduated disc, according to the method described under Article 12 of the Technical Regulations).

Ignition: the electronic unit box and the coil must receive only: one feeding (energy source of the rotor/stator or of a battery) and one crankshaft pick-up signal in order to set the ignition signal.

The advance and cartography may under no circumstances be modifiable from the driving seat under normal

racing conditions.

Combustion chamber volume: free.

Carburettor free but mechanical without electronics.

Exhaust and make of exhaust free.

Total exhaust opening angle - free.

5) Any Division 2 engine, according to the Specific Regulations of Division 2.

SK5.4.2. Ignition. The advance and cartography may under no circumstances be modifiable whilst the kart is in motion

SK5.4.3. Cooling. Only water (H2O) is authorised for use in the cooling system.

SK5.4.4. Transmission. Gear ratios are open.

SK5.6. Brakes. As specified in CIK regulations

SK5.7. Wheels and tyres. 6" CIK-homologated tyres only from the periods 2014–2022.

Div. 1 - 6"

Dunlop Hoosier
DGS R60B SK

DES

Wets - KT14 Wets – W2 & W3

Plus 2024 CIK Homologated tyres

SK5.8. General.

SK5.8.1. Weight.

Minimum Weights:

One single cylinder engine: 208kg including the bodywork; minimum weight of the kart alone - 98kg without the bodywork and without fuel.

Other engines: 218kg including the bodywork; minimum weight of the kart alone - 113kg without the bodywork and without fuel.

SK5.8.2. Number plates. Yellow background, with black numbers. U17.26-27 applies, unless varied in Championship Regulations.

SK5.8.3. Age. The class is open to any driver aged 17 or over.

SK4.9 Rain Lights All karts on long circuit must be fitted with a rain light.

Applicable ALL classes (with wing or without)

A rear facing high intensity light will be permanently illuminated when wet tyres are fitted to the kart and/or a race is designated as a wet race or instructed to do so by the Clerk of the Course. Only lamps having a high-intensity, polarised light source will be permitted.

Only the lights registered for use with the Motorsport UK/CIK will be eligible.

The lens shall have a minimum surface area of **28cm²** and the illumination must be visible from a point 45 degrees either side of centre line. The lamp unit will be mounted securely, forward of the rear bumper and the whole illuminated area of the light is to be positioned in the area shown in the diagram below, in wet and dry tyre configuration.

The light must be able to be switched on by the driver when seated in the normal driving position, by means of a **switch** and not by wires joined together or terminals connected to a power source. Karts with lights not switched on when a race is declared wet will not be let out onto the circuit from the Assembly Area or Pit Lane.

